

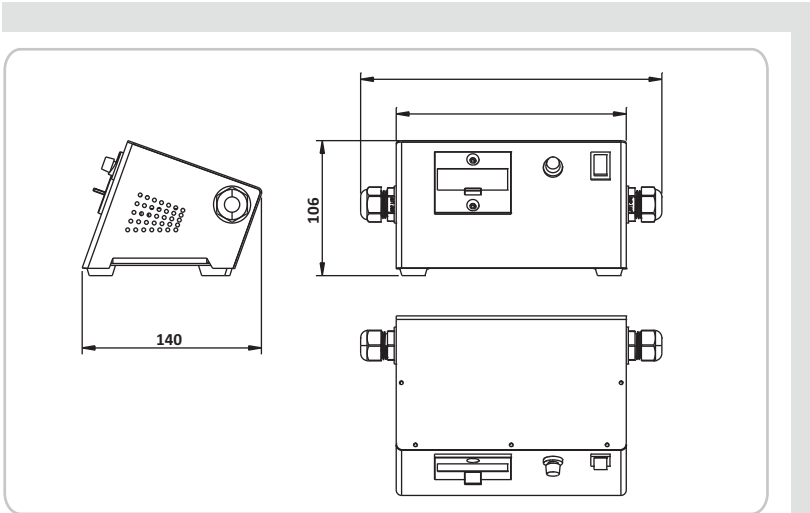


TimiT 02

TimiT 02 is an electronic timer for pneumatic/ hydraulic press. **TimiT 02** is a unique timer specifically meet all industrial standard and assembly line requirements. Designed and manufactured by enProducts™.

TimiT 02 has an inbuilt protection circuit for the safety of operator. Time function can be adjusted for different assembly requirement.

TimiT 02 has counter integrated with the control box which will give exact information about production. This model work with 230V AC, 50Hz and consume less power. 24V DC output signal makes **TimiT 02** easy to set up with pneumatic solenoid coils.



- Model No** : **TimiT 02.**
- Part Number** : **20-14-0071.**
- Input voltage** : **230V AC, 50Hz.**
- Output Voltage:** **24V DC.**
- On Time** : **6 Sec (Adjustable).**
- Off Time** : **Until push button input.**
- Safety** : **Interlocked push button.**

Features

- Powder coated metal enclosure.
- Inter lock safety buttons.
- 6 Digit counter.
- Connection load upto 3 A.

Model Number : TimiT 02 - 24 - 2 - MC

Output voltage _____

Cable length _____

MC/ EC (Counter) _____

