

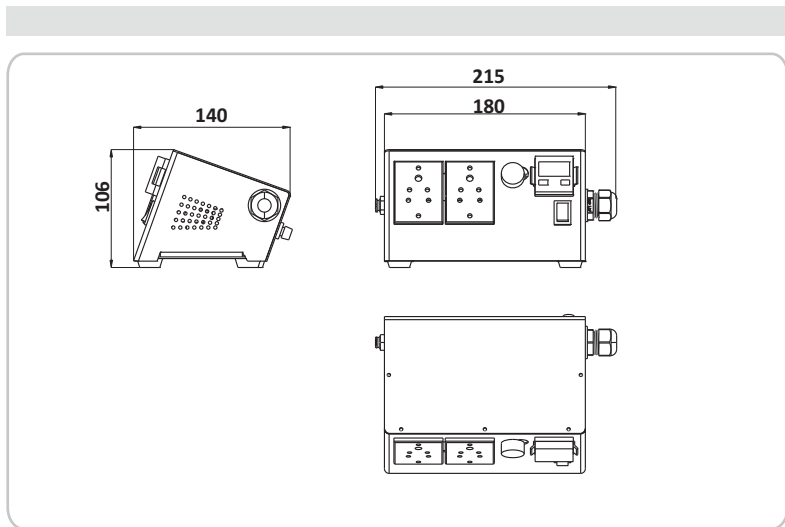
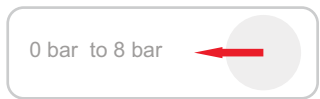


# Power On Demand (Pressure) <sup>01</sup>

Simple Engineering  
www.enproducts.in

Due to the pressure drop in air line, pneumatic assembly operation will result in defective production, to avoid/ monitor this situation enProducts™ has developed **POD-P 01**. **POD-P 01** is an electronic power management for pneumatic assembly lines. **POD-P 01** is a unique device which supplies power only when desired pressure is available in air line. **POD-P 01** is designed to operate at user specified pressure.

**POD-P 01** has a supervisory reset system which ensures the quality of production. This model works with 230V AC, 50 HZ with two 3A power socket outputs which makes **POD-P 01** easy to use and place on a table top.



- Model No** : **POD-P 01.**
- Part Number** : **20-14-0070.**
- Input voltage** : **230V AC, 50Hz.**
- Output Voltage:** **230V DC. 3A (2 Nos)**
- Output** : **NO/ NC**
- Pressure range:** **-6 bar 8 Bar**
- Procession** : **0.1 Bar.**
- Display** : **Red/ Green 4 Digit Segmental**

## Features

- Powder coated metal enclosure.
- Selectable Display Unit (bar, psi, kgf/cm<sup>2</sup>)
- Buzzer Alarm & Supervisory reset.
- 4 Digit display (Red/ Green).
- Connection load up to 3 A. (2 Nos)

Model Number : **POD-P 01- 230 - 2 - 2**

